

PLEASE CHECK WWW.MOLEX.COM FOR LATEST PART INFORMATION

Part Number: [0945100203](#)
Status: **Active**
Description: Fork Terminal for 0.75-1.00mm² (18 AWG) wire

Documents:

[Drawing \(PDF\)](#) [RoHS Certificate of Compliance \(PDF\)](#)
[Product Specification PS-94509-002 \(PDF\)](#)

General

Product Family	Crimp Terminals
Series	94510
Crimp Quality Equipment	Yes
Product Name	Fork Terminal

Physical

Durability (mating cycles max)	20
Gender	Receptacle
Material - Metal	Phosphor Bronze
Material - Plating Mating	Tin
Material - Plating Termination	Tin
Packaging Type	Reel
Plating min: Mating (µin)	120.00
Plating min: Mating (µm)	3.000
Plating min: Termination (µin)	120.00
Plating min: Termination (µm)	3.00
Termination Interface: Style	Crimp or Compression
Wire Insulation Diameter	2.10mm
Wire Size AWG	18
Wire Size mm ²	0.75 - 1.00

Electrical

Current - Maximum per Contact	6A
Voltage - Maximum	50V

Material Info

Reference - Drawing Numbers

Product Specification	PS-94509-002
Sales Drawing	SD-94510-0X03

EU RoHS

**ELV and RoHS
Compliant**
**REACH SVHC
Contains SVHC: No**
**Halogen-Free
Status**

China RoHS



Not Reviewed

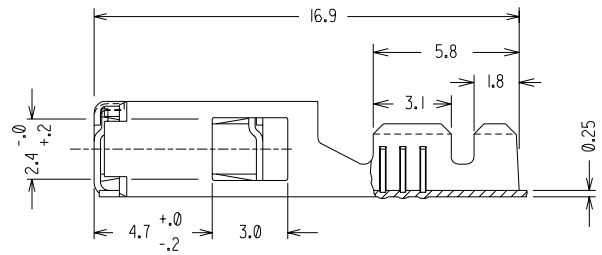
**Need more information on product
environmental compliance?**

Email productcompliance@molex.com
For a multiple part number RoHS Certificate of
Compliance, [click here](#)

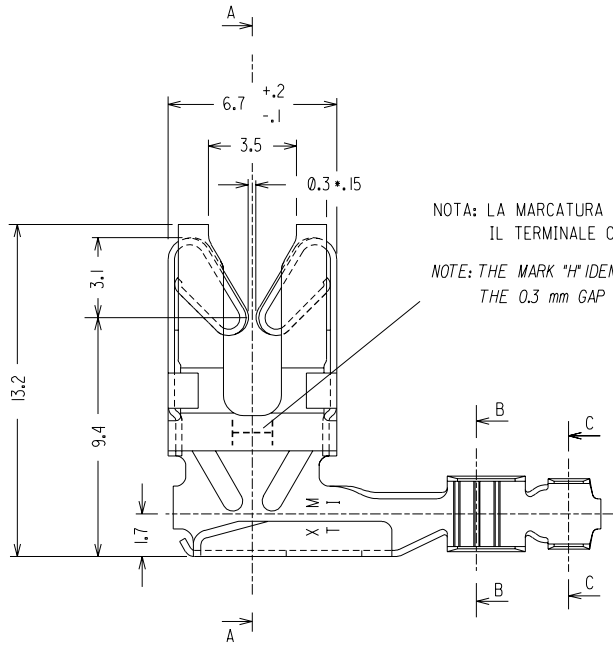
Please visit the [Contact Us](#) section for any
non-product compliance questions.

Search Parts in this Series

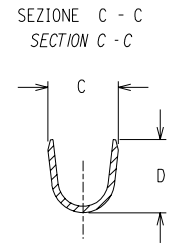
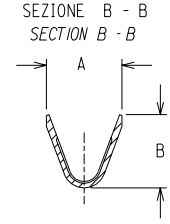
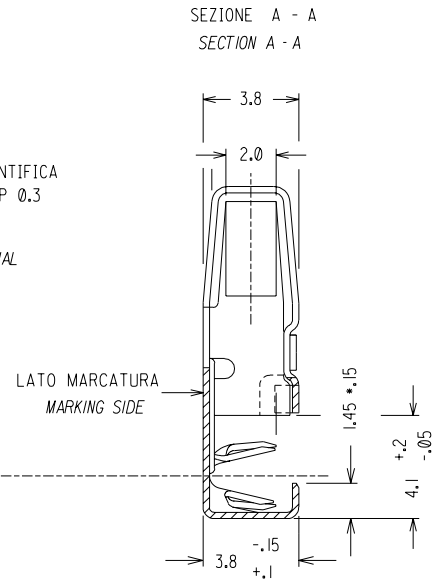
[94510Series](#)



CODICE P/N	SEZ. CAVO WIRE SIZE	Ø ISOLANTE INS. RANGE	A	B	C	D
94510-0103	0.35 - 0.50	1.70 MAX	1.9	2.2	2.7	2.7
94510-0203	0.75 - 1.00	2.10 MAX	3.0	2.9	2.8	2.9



NOTA: LA MARCATURA "H" IDENTIFICA IL TERMINALE CON GAP Ø.3
 NOTE: THE MARK "H" IDENTIFIES THE 0.3 mm GAP TERMINAL



MATERIALE: BRONZO FOSFOROSO
 MATERIAL: PHOSPHOR BRONZE
 FINITURA: PRESTAGNATO
 PLATING: PRE-TINNED

SENSO DI SVOLGIMENTO DALLA BOBINA
 DEREEING DIRECTION

PASSO TRA CONTATTI ADIACENTI: 21.3 mm
 PITCH BETWEEN ADJACENT TERMINALS: 21.3 mm

(N.° PEZZI PER BOBINA: 2700)
 (N. OF TERMINALS PER REEL: 2700)

ECN Z2-195 20-11-92 NEW RELEASE A LTR	REVISIONS DIMENSIONS SHOWN (METRIC) INCH UNLESS OTHERWISE SPECIFIED TOLERANCES: ANGULAR ±3° INCH (METRIC) 3 PLACE ± 2 PLACE ± 1 PLACE ± 0.2	DRWG BY Barbieri CHK'D BY APP'D BY Previato SCALE 5:1	REVISE ONLY ON CAD SYSTEM SH. REV. CAD/CAM FILENAME 9451015S THIS DRAWING CONTAINS INFORMATION THAT IS PROPRIETARY TO MOLEX INC AND SHOULD NOT BE USED WITHOUT WRITTEN PERMISSION TITLE CONTATTO A FORCELLA A 90° - SPESSORE NOM. DEL MASCHIO: 0.8 mm - R/A FORK TERMINAL - TAB SIZE: 0.8 mm - SHEET NO. DATE 1/1 05-05-90	
	DESIGN DIMENSION (PRIMARY) □ (MM) □ IN	PREVIATO	MOLEX INCORPORATED	MOLEX INCORPORATED
	EQUIVALENT DIMENSION (SECONDARY) □ (MM) □ IN.	SCALE 5:1	PART NO. VEDI TABELLA SEE TABLE	DWG NO. 94510 - 0X03 SD SIZE B